

2020 Northern Indiana Mini Wedge Rules & Regulations

Rules may be changed / amended by NIMW, when deemed necessary

Section 1 – Car

- Wheelbase 45” – 49”. Maximum width of the outside of the tire is 49”.
- There are to be no roofs, or sail panels.
- A maximum of a 4-inch spoiler will be allowed. Spoiler side’s maximum height will be four (4) inches from deck and 9 inches long.
- Front window 3” name plates will be allowed to be placed at the top of the roll cage.
- All wedges must be constructed of steel tubing with a complete 6-point roll cage including adequate side protection. **Cages must be a minimum of 0.065 x 1” steel tubing welded to the frame.**
- The engine must be located behind the driver’s seat. No part of the engine can be located beside the seat.
- Floor pans are required to be made of steel or minimum 0.040” aluminum. The floor pans are to be securely bolted. No Rivets. The length of the floor pan must go from the center of the seat to the front of the frame going past the driver’s pedals.
- All wedges must have a full wedge “Late Model” appearing body.
- No open fenders will be allowed.
- There must be at least 4” of body behind the rear wheels.
- There will be no covered or enclosed motors. All motors will always remain completely visible. A 4” deck can be added to the rear engine area/spoiler area. This measurement is from the rear top part of the body forward. See Body Drawing (Section 5) for details.
- Tires must be a Hoosier (15600 "11x6.0-6 FK or 15456 10.5x4.5x6 FK). No grooving or sipping of the tires. No treating or soaking of tires. Any tire that durometers less than a 50 will be deemed as treated and will result in a 12-month suspension. Tires are subject to a durometer reading before or after heats and features.
 - 2020 the A40 is allowed
 - 2021 the only tire allowed will be the FK.
- Rim width cannot be any wider than 6½” wide and must be at least 6” tall.
- Axle must be a **Steel Axle** and a minimum of 3/16" wall thickness.
- No suspension will be allowed – this includes springs, shocks, rubbers, torsion bars and any other type of dampening devise.
- Rear deck height cannot exceed a maximum of 26” from the ground and a minimum of 22” high from the ground.
- Rear quarter panel cannot exceed a maximum of 24” and a minimum of 20”.
- Body must be constructed of 0.040” aluminum. Plastic may be used for nose, fenders and trim.
- It is highly encouraged that the doors and quarter panels be wider than the tires.
- **At least one vertical door bar must be welded on each side of the driver running from the main rail to side crash bars for driver protection.** See rear side view drawing (Section 5) for more details.

- Front and rear bumpers must be mounted, always. Front and rear bumpers must have at least a 6" tall hoop.
- Front and rear down tubes are mandatory for driver's protection.
- All tubing on main roll cage must be at least 0.065" wall tubing.
- Driver's seat must be mounted in four locations (4-Bolts)
- Two door numbers must be present with a minimum of 12".
- Accelerator cables must, *always*, have two return springs.
- Kill switch must be in reach of driver. It is highly recommended to have a second kill switch located on the upper B Pillar in reach for officials.
- Weight Rule will be determined at the first 2020 event and voted on after each car is weighed. This is to find a neutral weight that would be considered fair for all racers.
- 5-Point harness system is mandatory. All harness must have an SFI Rated patch, and must not be expired.

Section 2 –Engine

- **2020 Engine will be the STOCK Harbor Freight Predator 212 Engine. Hemi or Non Hemi. No Modification – expect 18 lb valve springs and jetting. NO OTHER modifications will be allowed (timing, governor, oil psi ext.).**
- The 2019 RJ Saylor Engine will be allowed for 2020 season.
- Any Engine is subject to tear down at any point of the night. If refusal of teardown there will be an automatic suspension for the 2020 season and a vote by all parents if allowed to return for 2021. All points will be revoked for the season.
- **No engine may be changed after any heat race has been run unless it has blown up (seized or internal damage resulting in loss of fluid). Then, if an engine is changed, the driver will start at the back of the feature race.**
- PLEASE do not put your child in a position to be Disqualified for the entire 2020 season because of an illegal engine.
- **You cannot alter the exhaust in anyway.** Cover can be altered to fit the chain guard if needed, no taking out the spark resistor for the exhaust. The spark plug can be changed. The low oil sensor cannot be disconnected. The ARC Air Cleaner can be run.
- **NO RACING carburetor. ONLY Jet change is allowed.**
- **Only the following 2 clutches are allowed in conjunction with the allowable tooth count:**
 1. Noram "Magnum" Premier clutch with any spring is allowed in 2020.
 2. MAX-Torque clutch is allowed in 2020.
- Only the following tooth count on the clutches are allowed:
 - 11, 12, 13 or 14 tooth clutches.
 - This is to help decrease our rear axle gear for more ground clearance.
- Brass clutch bushings may be replaced with needle bearings

Claim Rule: Officials reserve the right to claim any engine deemed illegal at any time!

- **The mission is to provide children a safe and competitive series to teach them the fundamentals**

and sportsmanship needed to grow into the sport as a young adult.

- **Please keep in mind the Engine / Clutch claim is to give every child the opportunity to compete without the worry of their family not being able to afford it.**

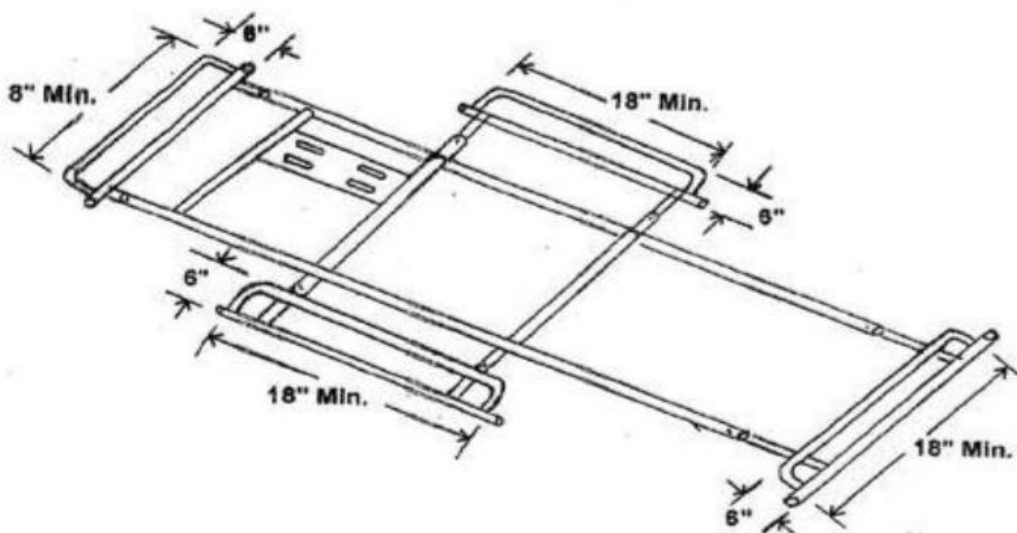
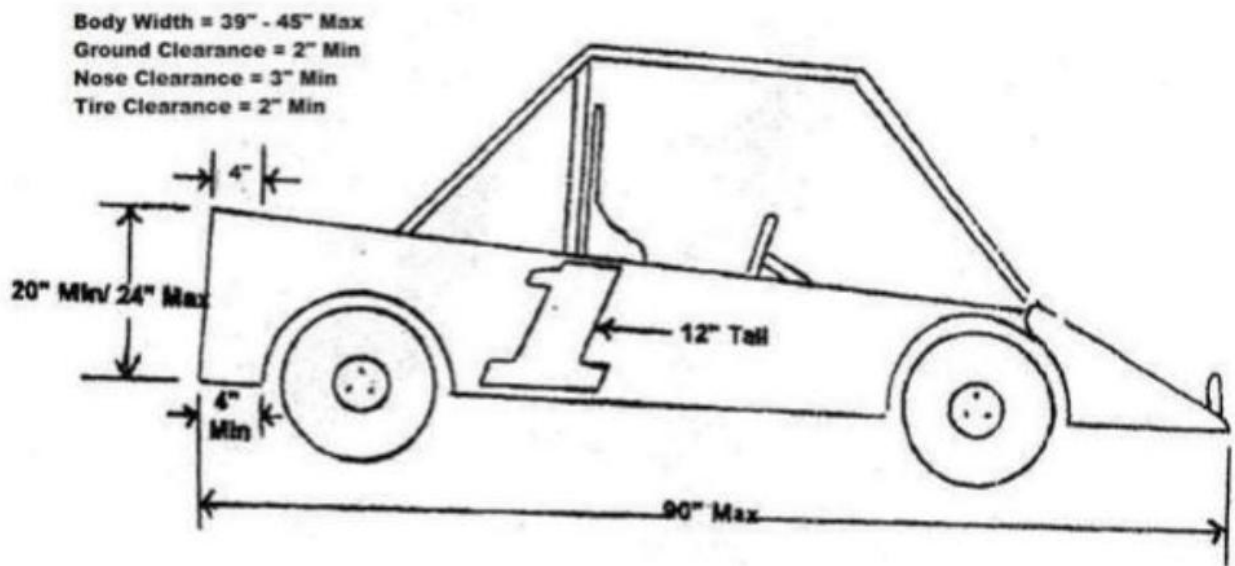
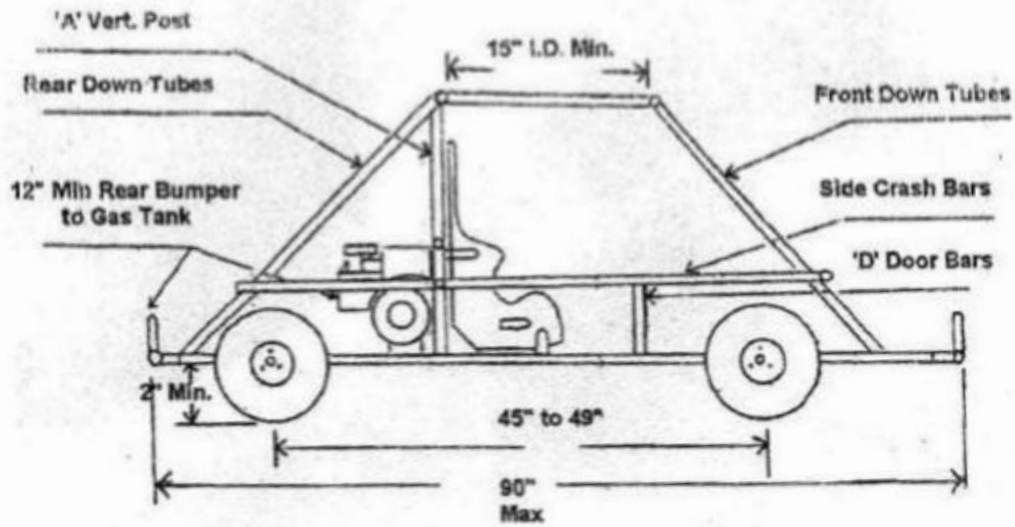
Section 3 –Race Rules

- All drivers must be accompanied by a parent or legal guardian. Unless you are legally appointed his / her legal guardian, by law, you cannot sign a release form for them. Therefore, they cannot race. Any exception to this rule cannot be made by an official. Exceptions must be brought before the track's management or track's insurance carrier for a decision.
- All cars will be lined up according to their pill draw. Failure to draw a pill before the lineup is turned into track officials will result in the driver starting at the tail of the heat.
- Arguing about scoring or judgment calls will not be tolerated. Confrontations / arguments with the Track Official(s) or another parent(s) can result in a minimal suspension of two (2) weeks from all sanctioned tracks.
- The scoring tower is off limits to drivers and others who are not track staff members.
- Any parent, driver, or member of any team involved in any type of confrontation with anyone at the track will result in a suspension of driver and parent/legal guardian for at least two (2) weeks from all sanctioned events.
- Age limit is 5-14 years of age. A copy of the child's birth certificate must be provided at registration.
- There will be NO WARNINGS given out for bad behavior such as: throwing a fit on the racetrack / pit area, arguing with the track officials / flagman / track owner, or going to another pit to argue. This includes driver, parent(s), family, and crew members associated with the driver.
- Any parent may tech any Mini Wedge prior to, during, or after any race. Should you feel there is a question with anything on your car that may be illegal; it must be addressed with an administrator prior to the race. Should you be found to be illegal at the track or due to a claim rule after the race, you will be disqualified and eliminated for the entire calendar season.
- No children are allowed on the track after racing has begun.
- No parents are allowed on the track unless permitted by the Lead Administrator at the track. This permission is only for help in the case of an accident, stuck or broken car.
- Parents are not allowed to communicate directly with their driver about the race during cautions or anytime while the driver is on the track.

Section 4 –Driver Personal Safety

- All drivers must wear an approved SFI – 1 certified or SFI13 – 2A/1 Fire Suit. SFI certification patch shall be required on fire suit.
- A full-face helmet will be mandatory at all tracks.
- All drivers must wear a neck brace. A neck restraint is recommended.
- All drivers must wear arm restraints or have window nets on each window.
- All drivers must wear a closed toe shoe.
- Fireproof gloves are mandatory.

Section 5 –Body Drawings and Specs



Section 6 –Race Procedures

- All vehicles must be able to stop and idle, on their own while on the track, or they will not be allowed to compete.
- Cautions will be thrown when a driver spins out and is stopped on the track.
- Caution will be thrown when a driver drives off the track and is stuck.
- The caution car (judgment call) will be put to the tail.
- If a driver causes three cautions (consecutive or non-consecutive), the driver will be black flagged for that event. (DNF)
- The black flag will be thrown when a driver is driving rough, this is a judgement call and cannot be argued.
- Race transponders will be mandatory if not required by the track.
- Heat races will be decided on by a Pill Draw.
- Feature redraw will be set by track.
- FEATURE WINNER FROM THE PREVIOUS FEATURE RACE WILL START AT THE BACK OF THE NEXT FEATURE (or at the next race he or she returns to).
- ALL 5 YEAR OLDS / NEW DRIVERS WILL START IN THE BACK OF THE FEATURES TO DEVELOP SEAT TIME
- WINNER FROM PREVIOUS WEEK WILL START AHEAD OF THE 5 YEAR OLDS.

Parent/Guardian Printed Name

Email Address

Parent or Guardian Signed Name

Mobile Number for Text Alerts

Child Driver Name and Number

Age

NIMW Director Acceptance Signature

Date